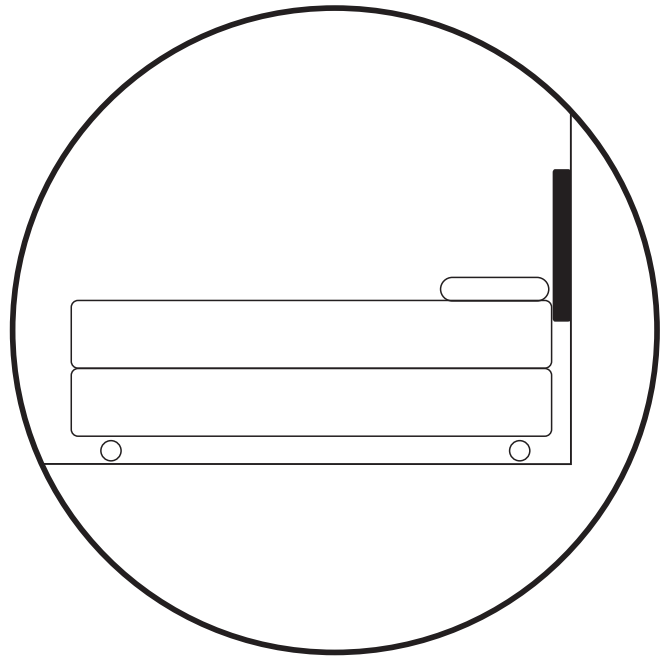
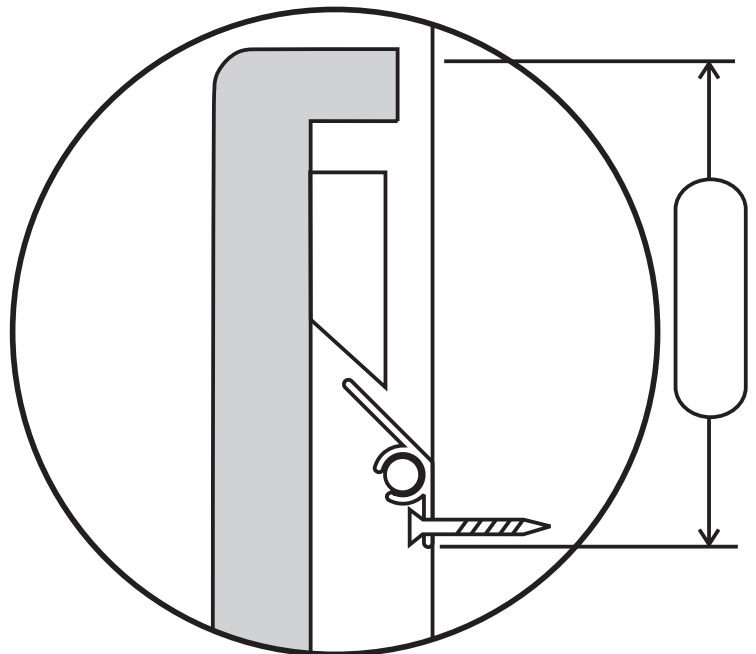


Wall Mounting

- ① Work out position and height of headboard.
NOTE: The bed butts up to the headboard
For a flush mounted headboard, mount the headboard above the floor skirting, if any.



- ② Measure down from the top of the headboard to locate rail height.
Please note the mounting orientation of the wall rail.
Locate the studs in the wall, level and fix rail to the wall.



- ③ Lift and drop headboard over the rail